

TP-180



THERMAL PRINTER



SOLUX TP-180 is the answer for those who are looking for advanced performance and design. The printer's thermal head guarantees excellent printing quality and a smaller consumption. An automatic cutter with rotary blades ensures more than a million cuts, optimizing the printer's reliability and efficiency.

FEATURES

- Receipts, invoices, and orders printer
- USB and RS232 connections
- 80 mm (3.15") paper width / 80 mm roll diameter
- Auto-cutter IMI cuts
- Black-mark management for self-alignment (receipts and invoices)
- Available in glossy black and blinking colored LED button
- Size: 140 x 150 x 117 mm (5.5 x 5.9 x 4.6")



Available in
glossy black.

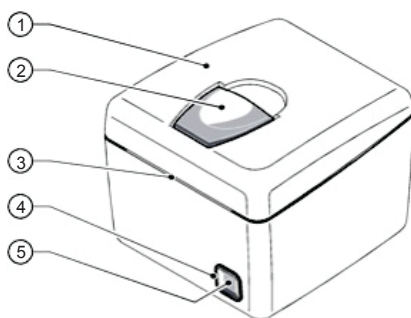


Easy and fast paper roll
replacement.

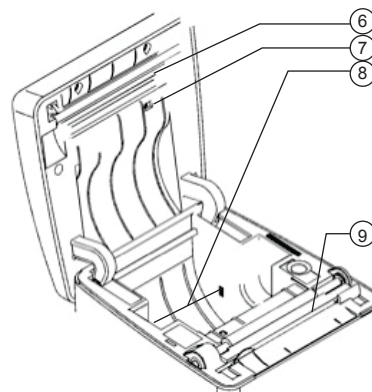
SPECIFICATIONS

Model	TP-180
Printing method	Thermal print
Resolution	203dpi (8 dots / mm)
Printing speed (mm/sec)	High Quality 80, Normal 120, High Speed 150
Characters set	PC437, PC850, PC860, PC863, PC865, PC858 (euro)
Printing format	Normal, height and width from 1x to 8x, reversed, underlined, italicized, bold
Printing direction	Straight, 90°, 180°, 270°
Paper width	80 mm (3.15")
Paper thickness	61 mm (2.40")
Paper weight	55 g/m ²
Roll dimension	Max. 80 mm (3.15")
Emulation	CUSTOM / POS
Interfaces	Serial 9 pin / USB
Data buffer	4 KB
Flash memory	384 KB
Graphic memory	1 logo (576x910 dots)
Drivers	Win 2K, XP, Vista, 7; Linux; OPOS, MAC OSX
Absorption	1.5 A
Power supply	24V DC ± 10% (External power supply)
DKD Function	1 Driver or customer Display
MTBF	360,000 hours
Safety	EN60950 +A1+A2+A3+A4
Marks	CE, RoHS Compliant
Dimensions	140 x 150 x 117 mm (5.5 x 5.9 x 4.6")
Weight	0.9 kg (2.0 lb.)

PRODUCT APPEARANCE



1. Lid for paper space
2. Opening lever for paper space
3. Paper exit
4. STATUS LED
5. FEED key



6. Printing head with temperature sensor
7. Paper presence sensor
8. Almost-out-of-paper sensor
9. Paper cutter