

SX-MT15



TOUCH MONITOR



SX-MT15 touch monitor is built to meet the requirements that leading retailers and restaurant operators need from their POS system. The screen offers clear visibility for easy and efficient operations and is an aluminum housing touch monitor. With rugged material, it is stable for counter use with touch screen. Streamline design supply elegant appearance.

FEATURES

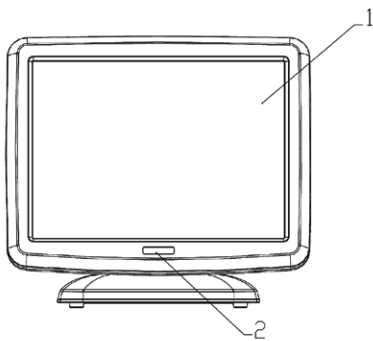
- Aluminum Housing for stable and durable use.
- Easy-to-use buttons makes operation simple.
- Streamline design for elegant appearance.
- Support VESA for wall mounted use.
- Waterproof screen.



SPECIFICATIONS

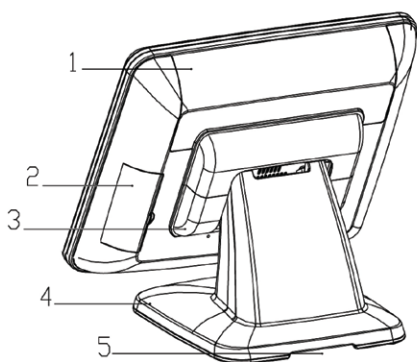
Model	SX-MT15
Size	15 inches
Display size	TFT LCD
Resolution	1024*768
Display Area(W*H) (mm)	310*234
Touch Screen	5 wires resistive optional
Brightness	≥250cd/m2
Interface	VGA
Power	DC12V/1.5A

PRODUCT APPEARANCE



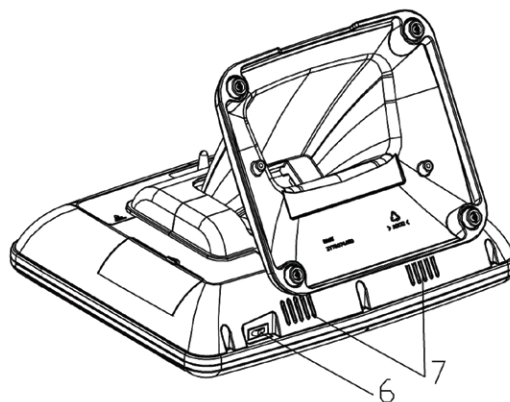
Front view

- 1. 15-inch TFT LCD and Touch screen
- 2. Power LED and HDD LED



Rear view

- 1. Cable Cover
- 2. HDD Cover
- 3. Hinge Cover
- 4. Base



- 5. The hole for cables
- 6. Power Switch
- 7. Speaker (optional)